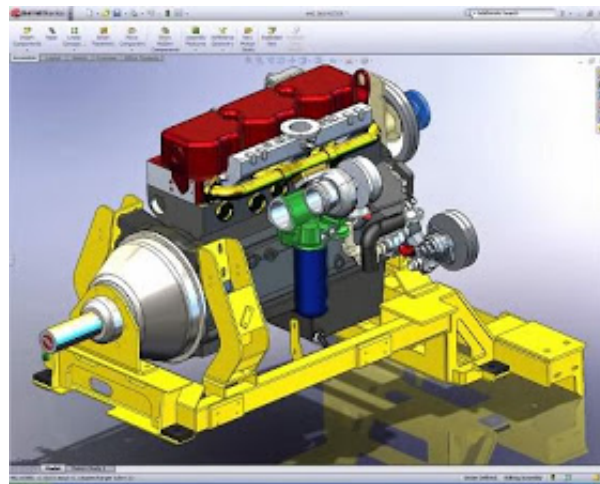




[Solidwork Crack](#)



[Solidwork Crack](#)



With all these parameters the user can define model specifications more clearly and allow the program to capture project design intent.

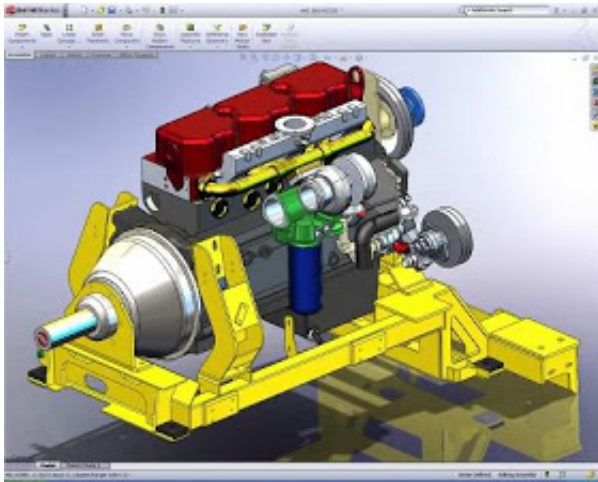
1. [solidwork](#)
2. [solidworks price](#)
3. [solidworks free](#)

Furthermore, with SolidWorks Keygen software, you can easily create high-quality shapes and geometry of any model with reference to the available parameters.

solidwork

solidwork, solidworks download, solidworks price, solidworks certification, solidworks free, solidworks pdm, solidworks download free, solidworks tutorial, solidworks student, solidwork crack, solidworks customer portal, solidworks student edition, solidworks electrical, solidworks system requirements, solidworks simulation [Umax Astra 3400 Scanner Driver Free Download](#)

SolidWorks crack 2014 provides more solution as compare than the Autodesk SolidWorks 2017 free download full version with crack 64 bit Download SolidWorks Premiun 2017 Crack is designed for both professionals and students.. Solidworks Keygen with License Key Solidworks 2018 crack full version free download is the powerful software for professional designing. [Best Anti Virus For Mac](#)



[Nch Wavepad Sound Editor For Mac](#)

solidworks price

[Adobe Photoshop Cs2 Free Download For Mac](#)

Design intent is what allows the user to specify the basic intent of design with all the changes and updates available.. These parameters are numeric or geometric parameters depending on the type of details they represent.. With this user can use a complete parametric approach to create amazing models and assemblies.. This part contains the features which are some specific shapes or operations These shape designs can be 2D or 3D according to your requirements.. As well as relations are also used to define the certain specification Some of the most commonly used relations are concentricity, parallelism, tangency, and perpendicularity. [Mac Leopard Manual](#)

solidworks free

[Paraiso Artificial Download Rmvd For Mac](#)

Solidworks Crack 2016SolidWorks 2019 Crack Full Serial Number Latest Version Download SolidWorks 2019 Crack is very strong computer modeling.. Download Solidworks 2018 Full CrackEach design contains parts essential to the model.. It is released by Dassault system for running on Microsoft Windows for efficient solid modeling.. While using SolidWorks user start from a 2D sketch or if want 3D sketch These sketches include many geometry details such as lines, curves, splines, slopes, arcs, points, and comics.. SolidWorks 2018 Crack Full Torrent Download And also dimension are included in completely configure size and locality of all the geometry.. It is a computer program that works on Microsoft window and was published by Dassault system.. In this approach, parameters are the constraints or limits on different values of this solid modeler. ae05505a44 [Autocad To Pdf Converter Free Download Cracked](#)

ae05505a44

[x force keygen Point Layout 2019 free download dmg](#)